



Automation for a Changing World

# Delta Human Machine Interface DOP-100 Series



[www.deltaww.com](http://www.deltaww.com)

 **DELTA**  
Smarter. Greener. Together.

# Advanced Human Machine Interface for

The DOP-100 Series Human Machine Interfaces include a Basic HMI, Standard HMI and Advanced HMI for different applications. The HMIs adopt the latest Cortex-A8 / Dual Core high-speed processor and 65,536 color LCD screen with high brightness and contrast. In addition, they are equipped with the HMI programming software DOPSoft 4.0 and built-in Lua editor for easy programming as well as alarm / history log / user authority functions for highly efficient management.

With advanced communication capabilities and enhanced functions, the DOP-100 Series elevates machine efficiency to bring more value to our customers, and to achieve "Automation for a Changing World"!



## Standard HMI

Features General and Ethernet Types for various applications

# Future Industry

## Advanced HMI

Features narrow frame design, supports various network communications, multilingual input and multimedia functions

## Basic HMI

Simple operating structure for harsh environments

## Table of Contents

<b>Introduction</b>	<b>2</b>
Model Selection	
Advanced HMI	
Standard HMI	
Basic HMI	
<b>Robust Hardware</b>	<b>14</b>
Power Isolation	
Fully Isolated Communication Interface	
PCB Coating	
<b>Programming Software – DOPSoft 4.0</b>	<b>15</b>
Abundant Elements	
Smooth Animation	
User-Friendly Programming Interface	
Editing Windows	
<b>Advanced Alarm</b>	<b>20</b>
Alarm Functions	
<b>Data Management</b>	<b>22</b>
Historical Data	
Historical Data Review	
Zoom In / Out Display	
Recipes	
PDF for Data Review	
<b>User Authority Management</b>	<b>24</b>
Account and Authorization Management	
Operation Log	
<b>Cloud Integration</b>	<b>25</b>
FTP Server	
VNC Server	
Web Monitoring	
<b>Product Information</b>	<b>26</b>
Hardware Specifications	
Model Description	
Dimensions	
<b>Global Operations</b>	<b>34</b>

# Easy Model Selection

The DOP-100 Series offers complete models for different applications. Users can easily select a suitable HMI based on size or function easily



1 COM port



2 COM ports



2 COM ports + 1 Ethernet port



1 COM port + 1 Ethernet port + Narrow frame design + Multi-language



2 COM ports + 1 Ethernet port + Narrow frame design + Multi-language + Multi-media

Type Definition

**DOP-107 W V**



**Advanced  
HMI**



**Advanced  
Narrow  
Frame**

**Advanced  
Multimedia**

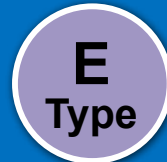


**Standard  
HMI**



**Standard  
General**

**Standard  
Ethernet**



**Basic  
HMI**



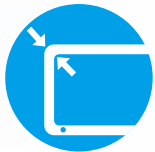
**Basic**

# Advanced HMI

The Advanced HMI adopts a wide screen and narrow frame design. It supports Ethernet communication & multilingual inputs. The Multimedia Type DOP-112 / 115 offers multimedia functions to meet different applications.



# Features



**Narrow Frame**  
Enlarged visual display for better user experience



**LUA Language**  
Simple and easy structural programming language to meet various demands



**Pressing times >10,000,000**  
Effective pressing times increased through strict endurance tests



**IP65 Rating**  
The front case protects the HMI from snow, rain, and dust



**Multilingual Input**  
16 different languages input for easy operation



**Diagnostics Function**  
Collects and solves issues remotely



**Power Isolation**  
Protects the HMI from accidental surge interference



**VNC Remote Monitoring**  
Remote control with mobile devices



**QRcode Scanning**  
Generates QRcodes with self-defined content for mobile device identification



**Supports GIF Graphic Elements**  
Easy setting to play vivid GIF elements



**Embedded Linux System**  
Open system for flexible and stable program development



**DOPSoft 4.0**  
New software DOPSoft 4.0 offers more complete functions and a better interface



**Operating Temperature 0°C ~ 50°C**  
Compliant with industrial operating environments



**CE / UL Certified**  
Compliant with CE and UL standards



**Multimedia Functions**  
Captures image with an external camera or replays important recordings



**Ethernet Communication**  
Connects to a master device or PLC with high-speed Ethernet communication



**Communication Isolation**  
COM and Ethernet ports with built-in isolation circuits enhance communication stability



**FTP/eMail Supported**  
Simple data transmission and real-time status report



**Supports PDF and TXT Reader**  
PDF and TXT files supported



**User-Friendly**  
Intuitive operation interfaces for users

# Camera & Video Play

## Multi-Media Functions



### Analog Camera

Supports external camera via analog, suitable for capturing fast and short-distanced images

**Applications: Textiles | Pharmaceutical | Rubber & Plastics**



### IP Camera

Supports IP Camera via Ethernet, suitable for capturing remote and wide-range images

**Applications: Packaging | Logistics | Mining | Power Generation | Oil & Gas**



### VGA Input

Displays images from external devices such as machine vision systems, PCs or notebooks



### Video Play

Views mpeg4 files captured by analog or IP camera from internal storage or USB disk/SD card



### Event Trigger

HMI performs specific actions when an event condition occurs

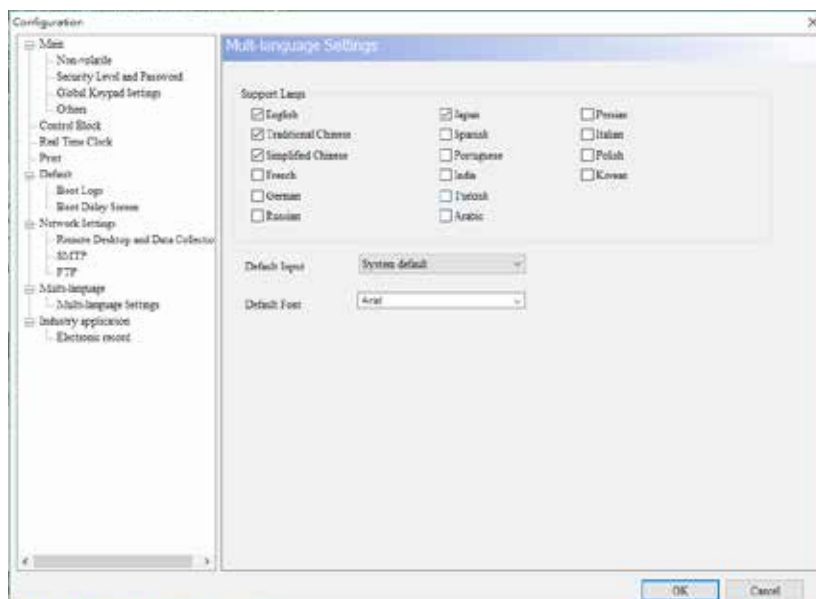
Sets up event trigger conditions to capture images and archive as mpeg4 files





## Multi-Language Input for Localization

- ▶ The Advanced HMI supports multilingual inputs for:
  - Recipe Name (ENRCPG)
  - Recipe Group Name (ENRCPNO)
  - Recipe Content (Char)
  - User Name
- ▶ Supports 16 languages: English, Traditional Chinese, Simplified Chinese, French, German, Russian, Japanese, Korean, Spanish, Portuguese, Hindi, Turkish, Arabic, Persian, Italian and Polish



# Standard HMI

The Standard HMI is equipped with 2 COM ports to meet most applications. It also offers Ethernet Types for fast and easy connection with other equipment.



# Features



**Embedded Linux System**  
Open system for flexible and stable program development



**LUA Language**  
Simple and easy structural programming language to meet various demands



**DOPSoft 4.0**  
New software DOPSoft 4.0 offers more complete functions and a better interface



**Pressing times >10,000,000**  
Effective pressing times increased through strict endurance tests



**Operating Temperature 0°C ~ 50°C**  
Compliant with industrial operation environments



**IP65 Rating**  
The front case protects the HMI from snow, rain, and dust



**CE / UL Certified**  
Compliant with CE and UL standards



**Diagnostics Function**  
Collects and solves issues remotely



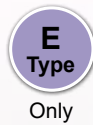
**Ethernet Communication**  
Connects to master device or PLC with high-speed Ethernet communication



**Power Isolation**  
Protects the HMI from accidental surge interference



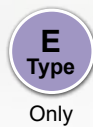
**Communication Isolation**  
COM and Ethernet ports with built-in isolation circuits enhance communication stability



**VNC Remote Monitoring**  
Remote control with mobile devices



**FTP/eMail Supported**  
Simple data transmission and real-time status report



**Supports PDF and TXT Reader**  
PDF and TXT files supported



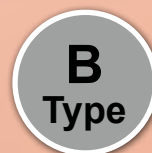
**Supports GIF Graphic Elements**  
Easy setting to play vivid GIF elements



**User-Friendly**  
Intuitive operation interfaces for users

# Basic HMI

The Basic HMI features basic functions and easy installation for industrial applications. With an IP65 water-proof rating, it is suitable for harsh environments.



# Features



**Embedded Linux System**  
Open system for flexible and stable program development



**LUA Language**  
Simple and easy structural programming language to meet various demands



**DOPSoft 4.0**  
New software DOPSoft 4.0 offers more complete functions and a better interface



**Pressing times >1,000,000**  
Effective pressing times increased through strict endurance tests



**Operating Temperature 0°C ~ 50°C**  
Compliant with industrial operating environments



**IP65 Rating**  
The front case protects the HMI from snow, rain, and dust



**CE / UL Certified**  
Compliant with CE and UL standards



**Diagnostics Function**  
Collects and solves issues remotely



**Supports PDF and TXT Reader**  
PDF and TXT files supported



**Supports GIF Graphic Elements**  
Easy setting to play vivid GIF elements

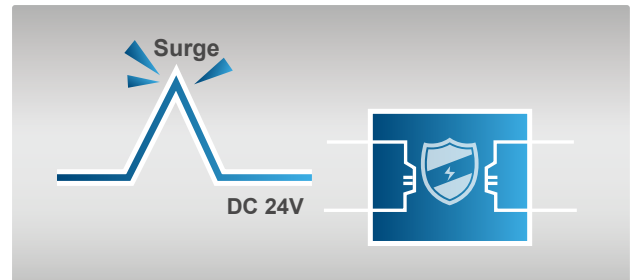


**User-Friendly**  
Intuitive operation interfaces for users

# Robust Hardware

## Power Isolation

- ▶ Complete series with built-in power isolation circuits provides the most complete protection against accidental external spikes



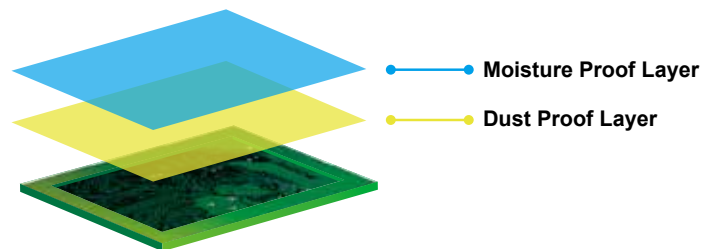
## Fully Isolated Communication Interface

- ▶ Complete series has built-in COM and Ethernet isolation circuits to protect against noise that can occur from the grounding of various devices such as PLCs, servo drives, inverters and others



## PCB Coating

- ▶ Complete series has PCB coating for enhanced durability and to protect against humidity and dust for applications in a range of environments

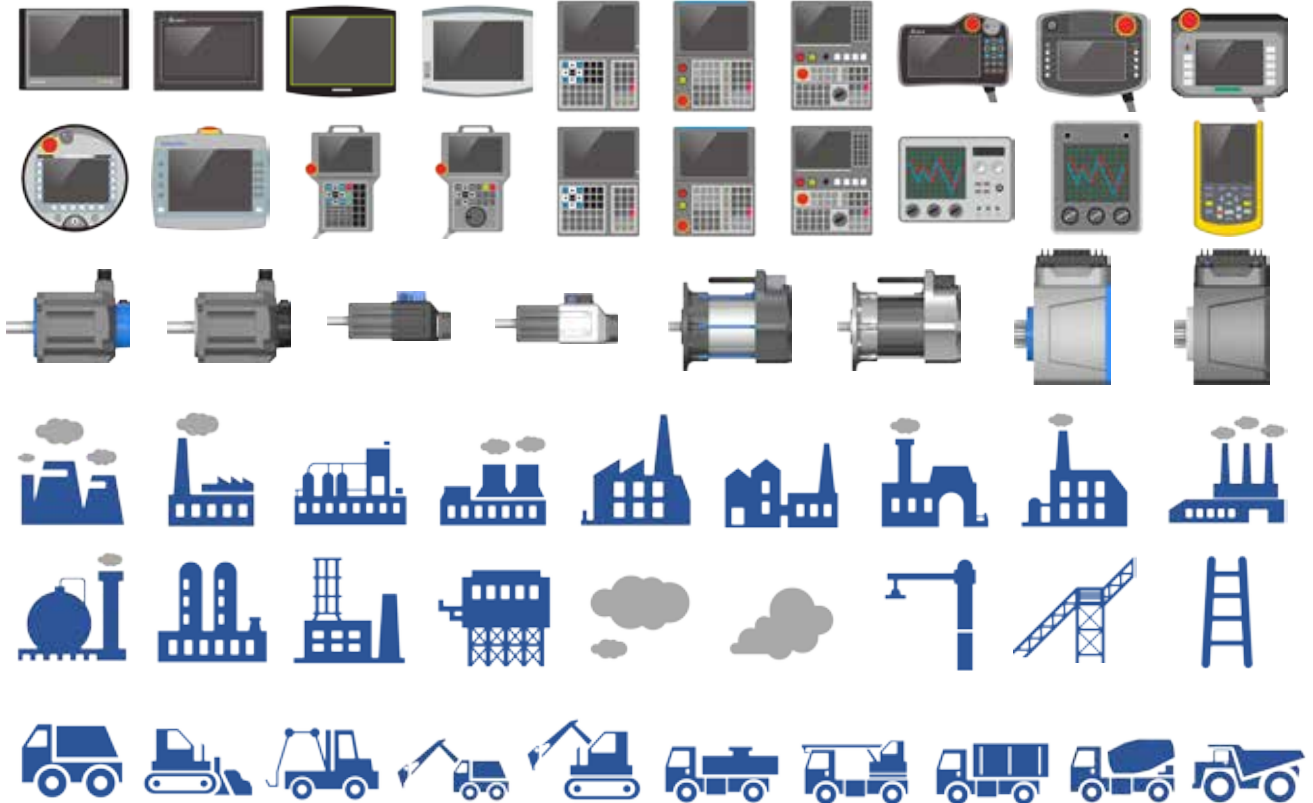


Model	Power Isolation	Communication Isolation
<b>Advanced HMI</b>		
DOP-103WQ	Yes	Yes
DOP-107WV	Yes	Yes
DOP-110WS	Yes	Yes
DOP-112/115 WX	Yes	Yes
DOP-112/115 MX	Yes	Yes
<b>Standard HMI (Ethernet Type)</b>		
DOP-107EV	Yes	Yes
DOP-107EG	Yes	Yes
<b>Standard HMI (General Type)</b>		
DOP-107CV	Yes	No
DOP-110CS	Yes	No
<b>Basic HMI</b>		
DOP-103BQ	No	No
DOP-107BV	No	No

# Programming Software – DOPSoft 4.0

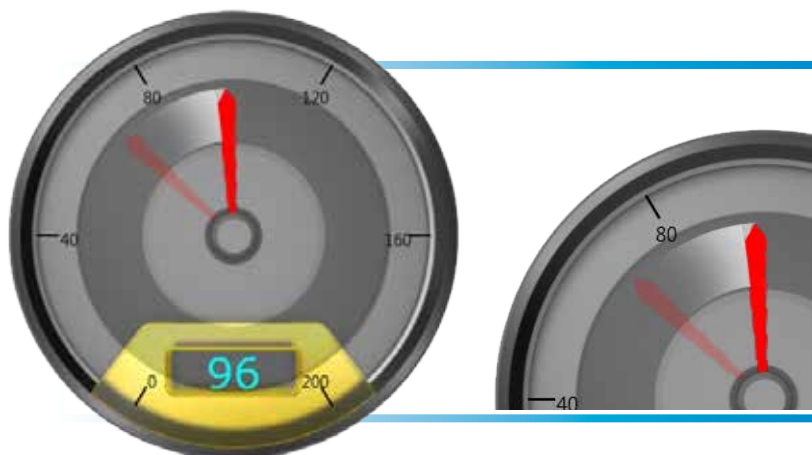
## Abundant Elements

- ▶ Abundant built-in element graphics for vivid interface display for a variety of industrial applications



## Smooth Animation

- ▶ New smooth animation technology for realistic dashboard display



# Programming Software - DOPSoft 4.0

## User-friendly Programming Interface

The screenshot shows the DOPSoft 4.0 interface with several callout boxes pointing to specific features:

- Bookmark Management:** A green box pointing to the 'Screen\_12' tab in the top right corner.
- Project Management Batch:** A green box pointing to the project tree on the left side of the interface.
- Editing Area:** A green box pointing to the main workspace area where the HMI screen is being edited.
- Output List:** A green box pointing to the 'Output' window at the bottom left, which displays a list of messages and errors.
- Edit Preview:** A green box pointing to the 'Screen Management' window at the bottom right, which shows a preview of the overall project structure.

Additional text descriptions for each feature:

- Bookmark Management:** Bookmark menu allows users to switch pages easily
- Project Management Batch:** Quickly switch items via the project branch feature
- Editing Area:** Provides real-time display of your edit
- Output List:** Automatically displays edit results of each screen. Users can review and resolve errors by clicking screens
- Edit Preview:** Quickly browses the overall project via edit preview

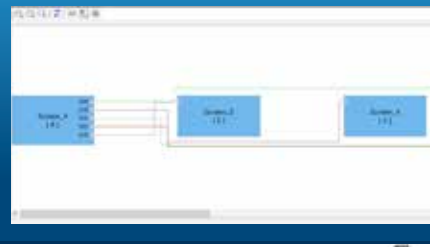


### Customized keyboard



Abundant accessories

### Process paradigms



### Field devices



Properties	
Screen Name	Screen_12
Screen Properties	Detail...
Background Color	<input type="checkbox"/> RGB(252, 252, 252)
Screen Lock Bit	None
Screen Macro	
Screen Open Macro	3
Screen Close Macro	0
Screen Cycle Macro	17
Width	1024
Height	768

Maintained	
Write Address:	\$5 0
Read Address:	None
Write Offset Address:	None
Read Offset Address:	None
Style:	Standard
Fireground Color:	[Color Picker]
Blink:	No
Filed style:	Gradient

### General Tool

Shortcut icons help enhance working efficiency

### Property

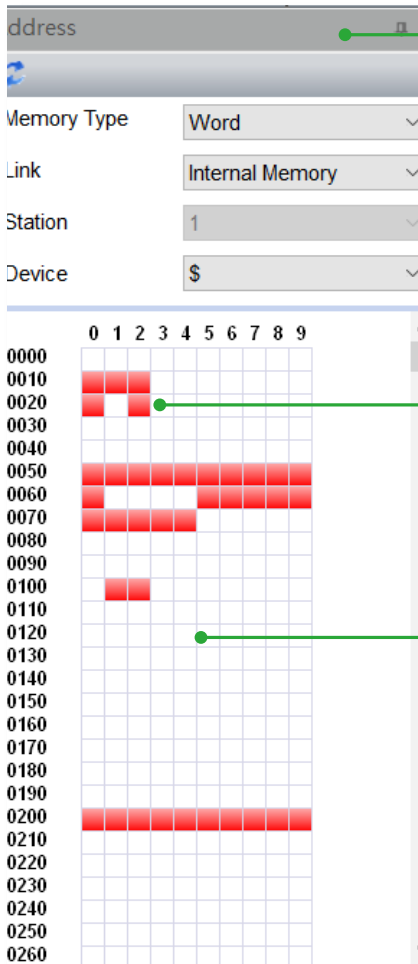
Provides easier property setup via group lists

### Property Quick Window

Standard accessory dialog box adopts built-in preview and quick-edit functions

# Programming Software - DOPSoft 4.0

## Editing Windows



### Register View Window

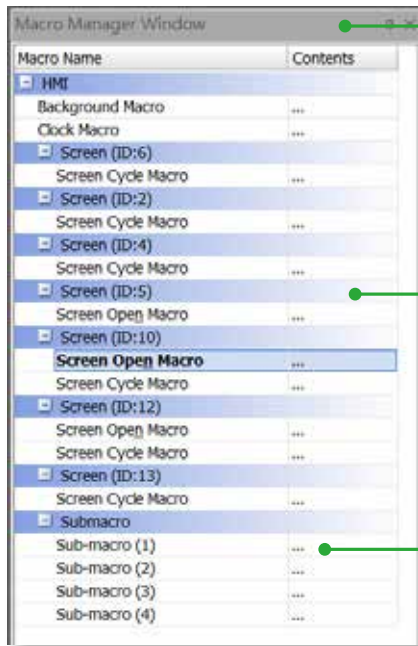
The color blocks of red and white allow users to view the memory register status



Red blocks indicate the used registers



White blocks indicate empty registers



### Macro Management Window

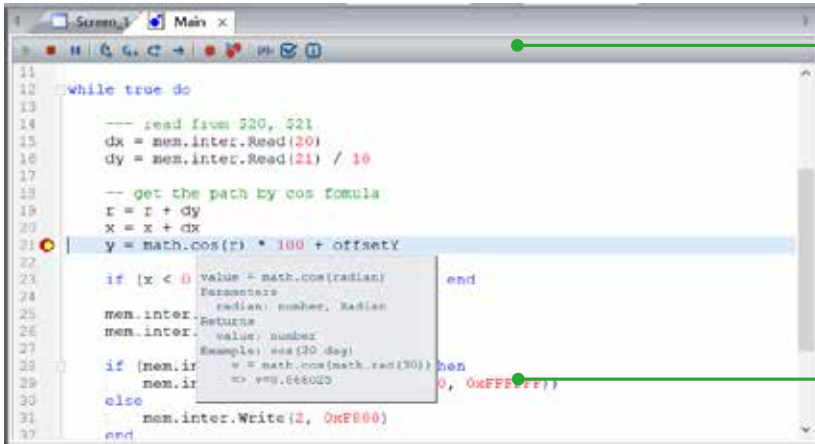
Users can view all types of macros in the project






Selected a macro via the list



Directly edit the macro after clicking



### Lua Tool Bar

-  Program Debugging
-  Stops program debug
-  Program break point

### Online Coding Tips

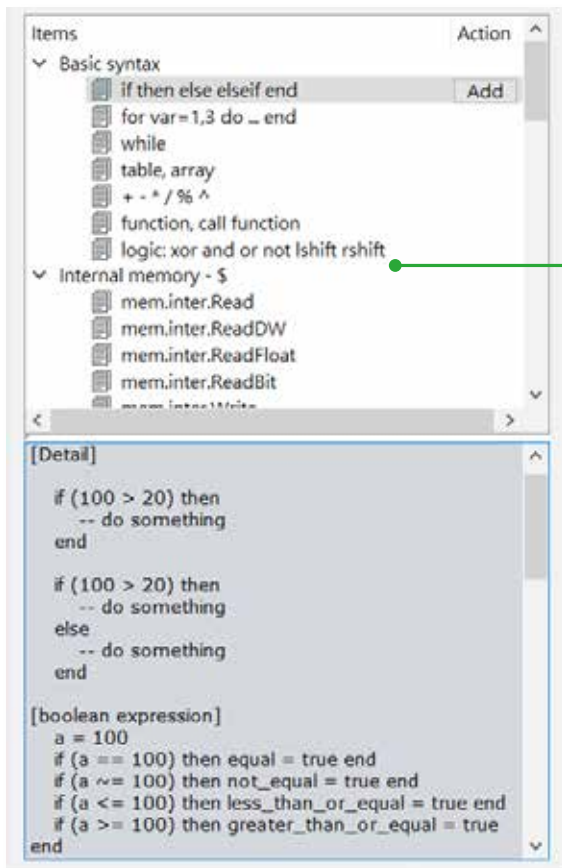
Lua editor displays tip windows of the codes when users move the mouse to selected codes

Watch variable

Name	Value	Global / Local	Type	Format
dx	3	Global	Number	DEC
dy	0.1	Global	Number	DEC
r	0.1	Global	Number	DEC
<b>y</b>	<b>3</b>	<b>Global</b>	<b>Number</b>	<b>DEC</b>
y	0	Global	Number	DEC
name	nil	Local		DEC

### Parameter Monitoring Window

Allows users to monitor parameter variation during program development



### Programming Assistance Window

Provides online assistance as follows:

- Lua code templates
- Program usage and properties
- Program samples

# Advanced Alarm

Strengthened alarm functions allow users to easily manage machine operations and quickly eliminate problems

- ▶ Alarm messages contain current register data for issue analysis

Detail			Properties
No.	Message Content	Category	
1*	Temp. too High , PV is %d1	1	
2*	Temp. too Low , PV is %d1	1	
3*	PV is %d1 , ALM Mail	2	
4		0	
5		0	

Message	
Temp. too Low , PV is 12	
Temp. too High , PV is 91	
Temp. too Low , PV is 15	
Temp. too Low , PV is 23	

**Alarm Sorting**  
 Alarm sorting via a "Sorting" function based on alarm attributes for quick information inquiries

**Supports Compound Address Monitoring**  
 Able to monitor Word and Bit documents at the same time

Detail		Properties				
No.	Message Content	Category	Type	Address	Trigger Condition	Monitor Address
1*	Temp. too High , PV is %d1	1	Word	\$15	\$15 > 70	\$15
2*	Temp. too Low , PV is %d1	1	Word	\$15	\$15 < 30	\$15
3*	PV is %d1 , ALM Mail	2	Bit	\$198.4	On	\$15
4		0	Bit	None	On	None

**Versatile Alarm Triggering Conditions**  
 Triggering conditions can be setup via a built-in function, no external editing programs required

## Alarm Notification

Automatically sends out alarm notification emails to logged-in recipients when alarms occur and supports the Secure Sockets Layer (SSL) protocol to ensure safe data transmission



- Indicates the alarm trigger and recovery time, and provides alarm acknowledge time / date (Ack) to confirm and monitor troubleshooting progress

Message	Trigger	Ack	Recovery
Temp. too Low • PV is 12	15:07:12 02/03/2017		15:07:15 02/03/2017
Temp. too High • PV is 91	15:07:15 02/03/2017	15:07:56 02/03/2017	15:07:22 02/03/2017
Temp. too Low • PV is 15	15:07:22 02/03/2017		15:07:25 02/03/2017
Temp. too Low • PV is 23	15:07:28 02/03/2017	15:07:58 02/03/2017	15:07:34 02/03/2017

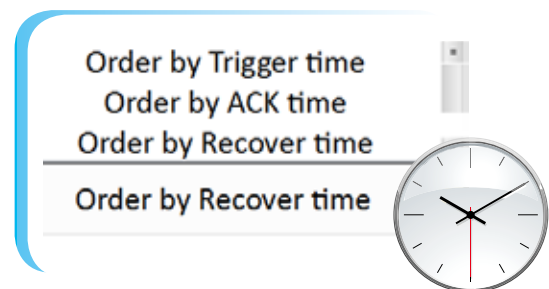
## Alarm Filtering

Advanced address control filtering allows users to find specified alarm messages according to user needs

Action	
Address control filtering allows users to find specified alarms	
No.	Action
0	Preset state, shows all triggered alarms
1	Hide alarms with "Restore Time" and "Confirm Time"
2	Hide alarms with "Restore Time"
3	Hide alarms with "Restore Time" or "Confirm Time"
4	Hide alarms with "Confirm Time"

## Alarm Ordering

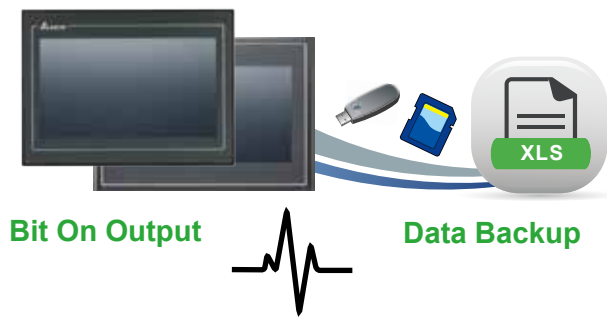
Able to display alarms in the order of Trigger Time / Confirm Time / Restore Time



# Data Management

## Historical Data

- ▶ Able to generate historical reports with user-defined file names and timestamps through Bit Control



The screenshot shows a 'Save As Mul' dialog box. It has the following fields and options:

- File Date:** Three dropdown menus with values 'None', '%m', and '%d'.
- File Time:** Three dropdown menus with values '%H', '%M', and 'None'.
- File Name:** A text input field containing 'DOP'.
- Saving trigger:** A text input field containing '\$175.0' and a small menu icon to its right.

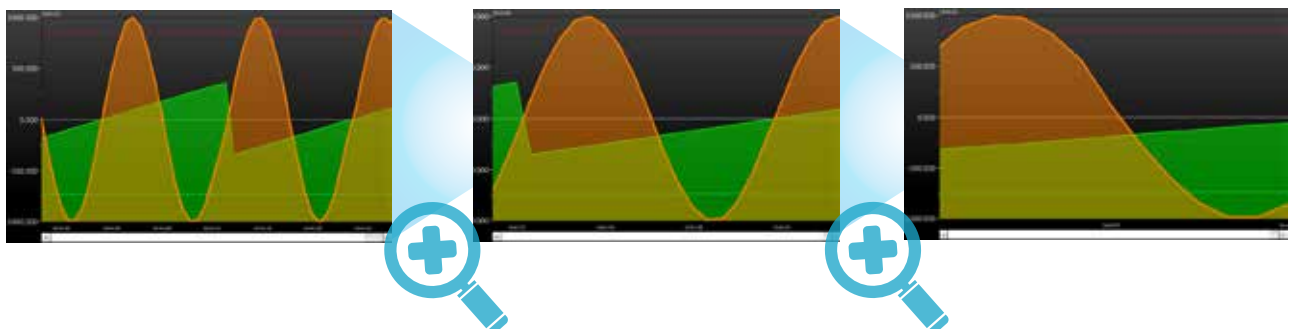
## Historical Data Review

- ▶ Allows historical data review on backup in USB disk or SD cards



## Zoom In / Out Display

- ▶ Zoom in / out function for convenient data viewing



## Recipes

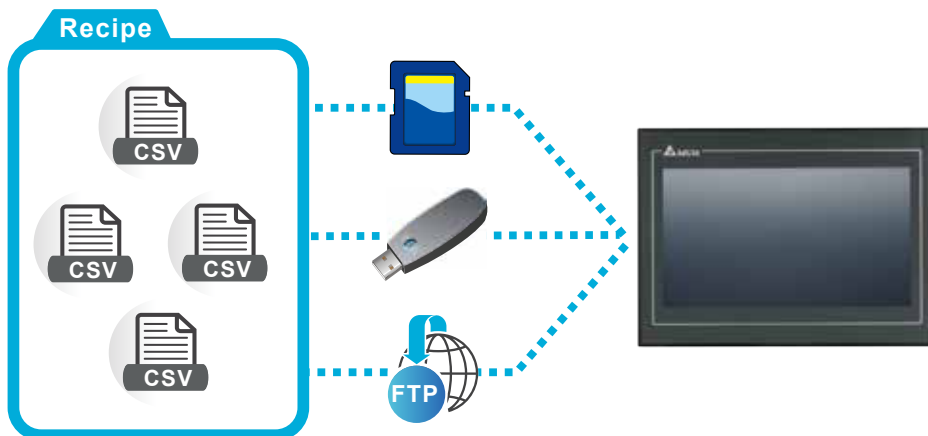
- ▶ Supports 2D and 3D recipe grouping, more flexible in building recipe database
- ▶ Various recipe formats, including text format (Unicode) which can also be used as formula notes

	D100	D101	D102	D103	D104	D105	D106	
	D100	D101	D102	D103	D104	D105	D106	50.7
Cake Recipe 1	Strawberry	300	0	0	221.56	533.1	150.7	63.9
Cake Recipe 2	Chocolate	0	300	0	387.98	490.8	163.9	79.8
Cake Recipe 3	Vanilla	0	0	300	120.14	505.3	279.8	
	Strawberry	Chocolate	Vanilla		Sugar	Flour	Milk	
	Char	Unsigned DEC			Floating			

Recipe Group 2 (includes rows 1-4)

Recipe Group 1 (includes rows 5-6)

- ▶ Recipes can be saved in CSV files for convenient editing on PCs
- ▶ Allows recipe update or backup through USB disks, SD cards or FTP



## PDF for Data Review

- ▶ Saves manuals or instruction PDF files in USB disks or SD cards for reference anytime



# User Authority Management

## Account and Authorization Management

- ▶ Supports 8 levels of authority and allows 8 accounts (account name/password) for each level
- ▶ Different function and operation access for each authority level to enhance operation safety



## Operation Log

- ▶ Operation log for different user accounts to trace/analyze possible causes of malfunctions
- ▶ Provides comprehensive information for managers to analyze the operating habits of different users and improve efficiency

Time	Date	User	Level	Screen	Action	Address	Pre Value	Change Value	Descriptor
19:22:18	2016.12.02	MANAGER	7	Screen_6	Goto Scrn		6	1	換畫面_006
19:22:20	2016.12.02	MANAGER	7	Screen_1	Goto Scrn		1	10	換畫面_001
19:22:24	2016.12.02	MANAGER	7	Screen_10	Set Val	\$51.1	1	0	交替型_003
19:22:27	2016.12.02	MANAGER	7	Screen_10	Goto Scrn		10	1	換畫面_006
19:22:30	2016.12.02	MANAGER	7	Screen_1	Goto Scrn		1	7	換畫面_001
19:22:57	2016.12.02	MANAGER	7	Screen_7	Set Val	\$20	-730	-698	數值輸入_0
19:23:02	2016.12.02	MANAGER	7	Screen_7	Goto Scrn		7	1	換畫面_006
19:23:05	2016.12.02	MANAGER	7	Screen_1	Goto Scrn		1	6	換畫面_001
19:23:47	2016.12.02	MANAGER	7	Screen_6	Level Switch		7	4	密碼輸入_0
19:23:52	2016.12.02	OPERATOR	4	Screen_6	Goto Scrn		6	1	換畫面_006
19:23:55	2016.12.02	OPERATOR	4	Screen_1	Goto Scrn		1	3	換畫面_001
19:24:03	2016.12.02	OPERATOR	4	Screen_3	Set Val	ENRCP10	12ED	65AE	數值輸入_0
19:24:09	2016.12.02	OPERATOR	4	Screen_3	Set Val	ENRCP11	456.32	125.93	數值輸入_0
19:24:14	2016.12.02	OPERATOR	4	Screen_3	Set Val	ENRCP17	400	452	數值輸入_0
19:24:15	2016.12.02	OPERATOR	4	Screen_3	Goto Scrn		3	1	換畫面_006
19:24:17	2016.12.02	OPERATOR	4	Screen_1	Goto Scrn		1	6	換畫面_001



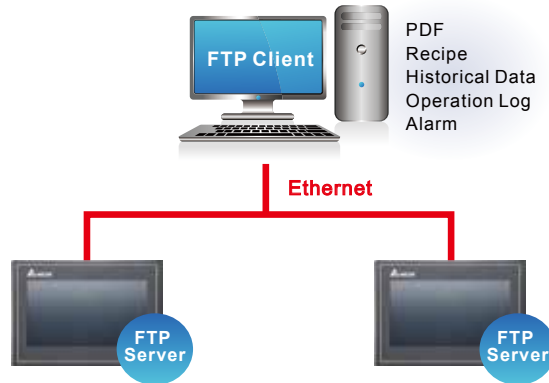
# Cloud Integration



Only With Ethernet

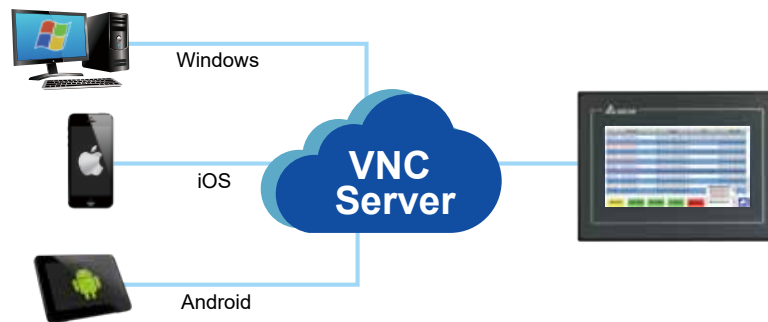
## FTP Server

- ▶ Built-in FTP server to update recipes or PDF files, and backup historical data, operation log and alarms



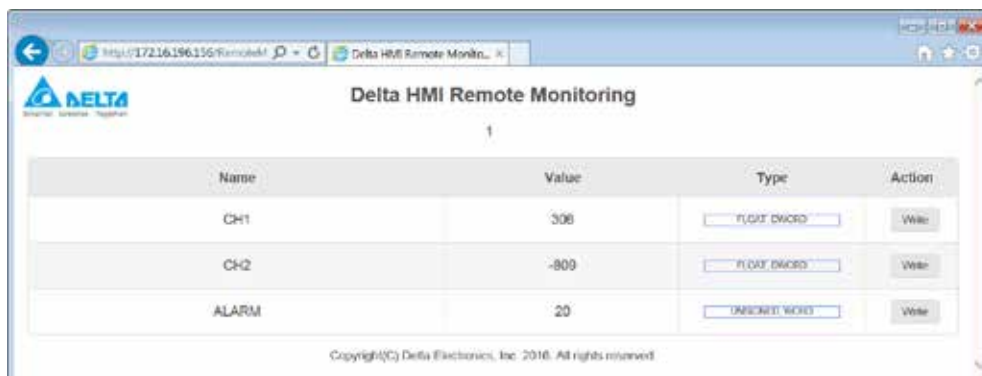
## VNC Server

- ▶ Built-in VNC server allows remote monitoring and operating of the DOP-100 Series via VNC Client APP (Windows, iOS, Android)
- ▶ Lock function: block remote operation during on-site operation to avoid unsynchronized commands. VNC server allows remote monitoring but not remote operation when the lock function is on



## Web Monitoring

- ▶ Allows direct monitoring of register data via web page, and requires no additional software installation



# Hardware Specifications

## Advanced HMI

Model		Advanced Narrow Frame Type		
		DOP-103WQ	DOP-107WV	DOP-110WS
LCD Module	Display	4.3" TFT LCD	7" TFT LCD	10.1" TFT LCD
	Color	65,536		
	Resolution (Pixels)	480 x 272	800 x 480	1024 x 600
	Back Light	LED Back Light		
	Back Light Brightness (cd/m <sup>2</sup> )	400	450	450
	Back Light Life (Hour) <sup>(Note 1)</sup>	10,000	30,000	30,000
MCU	ARM Cortex-A8 (800MHz)			
Flash ROM (Bytes)	256 MB			
RAM (Bytes)	512 MB			
Touch Panel	Four-wire resistor, over 10,000,000 pressing times			
Buzzer	Multi-Tone Frequency (2K ~ 4K Hz) / 80dB			
Ethernet Interface	1 Port <sup>(Note 2)</sup> , 10/100 Mbps auto-sensing			
USB	1 USB Slave Ver 2.0 / 1 USB Host Ver 2.0			
SD	N/A	N/A	N/A	
Serial COM Port	COM1	RS-232 (supports hardware flow control) / RS-485 <sup>(Note 2)</sup>	RS-232 (supports hardware flow control)	
	COM2	RS-422 / RS-485 <sup>(Note 2)</sup>	RS-232 (supports hardware flow control) / RS-485 <sup>(Note 2)</sup>	
	COM3	N/A	RS-422 / RS-485 <sup>(Note 2)</sup>	
RTC	Built-in			
Cooling	Natural air circulation			
Certification	CE / UL			
Waterproof	IP65 / NEMA4 / UL Type 4X (indoor use only)			
Operation Voltage <sup>(Note 3)</sup>	DC +24V (-15% ~ 15%) <sup>(Note 2)</sup>			
Voltage Endurance	A599V for 1 minute (between charging DC24 terminal and FG terminals)			
Power Consumption <sup>(Note 5)</sup>	Max. 5.8 W <sup>-3</sup>	Max. 8.4W <sup>-3</sup>	Max. 11 W <sup>-3</sup>	
Backup Battery	3V lithium battery CR2032 × 1			
Backup Battery Life	Depends on the temperature used and the conditions of usage, usually about 3 years or more at 25° C			
Operating Temperature	0°C ~ 50°C			
Storage Temperature	-20°C ~ 60°C			
Ambient Humidity	10% ~ 90% RH (0 ~ 40° C), 10% ~ 55% RH (41 ~ 50° C), Pollution Degree 2			
Vibration	IEC 61131-2 compliant 5Hz ~ 8.3Hz = Continuous: 3.5mm, 8.3Hz ~ 150Hz = Continuous: 1.0g			
Shock	IEC 60068-2-27 compliant 15g peak for 11ms duration, X, Y, Z, directions for 6 times			
Dimensions (W) x (H) x (D) mm	137 x 103 x 37.1	196 x 136 x 39	270 x 180.9 x 47.75	
Dimensions (W) x (H) mm	118.8 x 92.8	186.8 x 126.8	255.5 x 170.5	
Weight	280g	560g	1,100g	

1) The half-life of a backlight is defined as the original luminance being reduced by 50% when the maximum driving current is supplied to an HMI.

2) Built-in power isolation

3) An isolated power supply is recommended.

4) Some models are in the process of application for UL and KCC certification. For more information, please consult our distributors.

5) The value of the power consumption indicates the electrical power consumed by the HMI with no peripheral devices connected.

6) The content of this catalogue may be revised without prior notice. Please consult our distributors or download the most updated version at <http://www.deltaww.com>

## Advanced HMI

Model		Advanced Narrow Frame Type		Advanced Multimedia Type	
		DOP-112WX	DOP-115WX	DOP-112MX	DOP-115MX
LCD Module	Display	12" TFT LCD	15" TFT LCD	12" TFT LCD	15" TFT LCD
	Color	24bit			
	Resolution (Pixels)	1024 x 768	1024 x 768	1024 x 768	1024 x 768
	Back Light	LED Back Light			
	Back Light Brightness (cd/m <sup>2</sup> )	500	450	550	450
	Back Light Life (Hour) <sup>(Note 1)</sup>	50,000	50,000	50,000	50,000
MCU		Dual 1GHz			
Flash ROM (Bytes)		8GB			
RAM (Bytes)		DDR3 1000MHz 1GB			
Touch Panel		Four-wire resistor, over 10,000,000 pressing times			
Buzzer		Multi-Tone Frequency (2K ~ 4K Hz) / 85dB			
Ethernet Interface		2 Port, 100M bps x 2			
USB		1 USB Slave Ver 2.0 / 1 USB Host Ver 2.0			
SD		SD x 1	SD x 1	SD x 1	SD x 1
Serial COM Port	COM1	RS-232 (supporting flow control) / RS485 <sup>*2</sup>			
	COM2	RS-422 / RS485 <sup>*2</sup>			
	COM3	RS-232 (supporting flow control) / RS-485 *2			
	COM4	RS-422 / RS485			
RTC		Built-in			
Cooling		Natural air circulation			
Certification		CE / UL			
Waterproof		IP65 / NEMA4 / UL Type 4X (indoor use only)			
Operation Voltage <sup>(Note3)</sup>		DC +24V (-15% ~ 15%) <sup>(Note 2)</sup>			
Voltage Endurance		A599V for 1 minute (between charging DC24 terminal and FG terminals)			
Power Consumption <sup>(Note 5)</sup>		Max. 16.08W	Max. 21.12W	Max. 16.08	Max. 21.12W
Backup Battery		3V lithium battery CR2032 x 1			
Backup Battery Life		Depends on the temperature used and the conditions of usage, usually about 3 years or more at 25° C			
Operation Temperature		0°C ~ 50°C			
Storage Temperature		-20°C ~ 60°C			
Ambient Humidity		10% ~ 90% RH (0 ~ 40° C), 10% ~ 55% RH (41 ~ 50° C), Pollution Degree 2			
Vibration		IEC 61131-2 compliant 5Hz ~ 8.3Hz = Continuous: 3.5mm, 8.3Hz ~ 150Hz = Continuous: 1.0g			
Shock		IEC 60068-2-27 compliant 15g peak for 11ms duration, X, Y, Z, directions for 6 times			
Dimensions (W) x (H) x (D) mm		317.4 x 246.4 x 52.7	387.7 x 295.7 x 63.5	317.4 x 246.4 x 52.7	387.7 x 295.7 x 63.5
Dimensions (W) x (H) mm		302.7 x 228.7	372.4 x 283.7	302.7 x 228.7	372.4 x 283.7
Weight		2110g	3200g	2110g	3200g

1) The half-life of a backlight is defined as the original luminance being reduced by 50% when the maximum driving current is supplied to an HMI.

4) Built-in power isolation

5) An isolated power supply is recommended.

4) Some models are in the process of application for UL and KCC certification. For more information, please consult our distributors.

7) The value of the power consumption indicates the electrical power consumed by the HMI with no peripheral devices connected.

8) The content of this catalogue may be revised without prior notice. Please consult our distributors or download the most updated version at <http://www.deltaww.com>

# Hardware Specifications

## Standard HMI

Model		Standard General Type	
		DOP-107CV	DOP-110CS
LCD Module	Display	7" TFT LCD (65,535)	10.1" TFT LCD (65,535)
	Resolution (Pixels)	800 x 480	1024 x 600
	Back Light	LED Back Light Half-life: 20,000 hours under ambient temperature (25° C) <sup>1)</sup>	
	Display area	154.08 x 85.92 mm	226mm * 128.7mm
	Back Light Brightness (cd/m <sup>2</sup> )	400 cd / m <sup>2</sup> (Typ.)	300 cd / m <sup>2</sup> (Typ.)
MCU		ARM Cortex-A8 (800MHz)	
Flash ROM (Bytes)		256 Mbytes	
RAM (Bytes)		256 Mbytes	
Touch Panel		Four-wire resistor, over > 10,000,000 pressing times	
Audio Output	Buzzer	Multi-Tone Frequency (2K ~ 4K Hz) / 80dB	
	AUX	N/A	N/A
USB		1 USB Slave Ver 2.0 / 1 USB Host Ver 2.0	
SD		N/A	N/A
Serial COM Port	COM1	RS-232(supports hardware flow control) <sup>2)</sup>	
	COM2	RS-232 (supports hardware flow control) / RS-485 *2	
	COM3	RS-422 / RS-485 <sup>2)</sup>	RS-422 / RS-485 <sup>2)</sup>
RTC		Built-in	
Cooling		Nature air circulation	
Certification		CE / UL (please equip shielding cables and linefilters with capacity of 300ohm/100MHz)	
Waterproof		IP65 / NEMA4 / UL Type 4X (indoor use only)	
Operation Voltage <sup>(Note3)</sup>		DC +24V (-15% ~ +15%)(please equip isolated-type power supplies) Supplied by Class 2 or SELV circuit (isolated from MAINS by double insulation)	
Voltage Endurance		A500V for 1 minute (between charging DC24 terminal and FG terminals)	
Power Consumption <sup>(Note 5)</sup>		Max. 8.5 W <sup>-3</sup>	Max. 10.4W <sup>-3</sup>
Backup Battery		3V lithium battery CR2032 × 1	
Backup Battery Life		Depends on the temperature used and the conditions of usage, usually about 3 years or more at 25° C	
Operation Temperature		0°C ~ 50°C	
Storage Temperature		-20°C ~ 60°C	
Ambient Humidity		10% ~ 90% RH (0 ~ 40° C), 10% ~ 55% RH (41 ~ 50° C), Pollution Degree 2	
Vibration		IEC 61131-2 compliant 5Hz ~ 8.3Hz = Continuous: 3.5mm, 8.3Hz ~ 150Hz = Continuous: 1.0g	
Shock		IEC 60068-2-27 compliant 15g peak for 11ms duration, X, Y, Z, directions for 6 times	
Dimensions (W) x (H) x (D) mm		215 x 161 x 50	272 x 200 x 61
Dimensions (W) x (H) mm		196.9 x 142.9	261.3 x 189.3
Weight		970g	1330g

1) The half-life of a backlight is defined as the original luminance being reduced by 50% when the maximum driving current is supplied to an HMI.

2) Built-in power isolation

3) An isolated power supply is recommended.

4) Some models are in the process of application for UL and KCC certification. For more information, please consult our distributors.

5) The value of the power consumption indicates the electrical power consumed by the HMI with no peripheral devices connected.

6) The content of this catalogue may be revised without prior notice. Please consult our distributors or download the most updated version at <http://www.deltaww.com>

## Standard HMI

Model		Standard Ethernet Type	
		DOP-107EG	DOP-107EV
LCD Module	Display	7" TFT LCD (65,535)	7" TFT LCD (65,535)
	Resolution (Pixels)	800 x 600	800 x 480
	Back Light	LED Back Light Half-life: 20,000 hours under ambient temperature (25° C) <sup>1</sup>	
	Display area	141.00 x 105.75 mm	226mm * 128.7mm
	Back Light Brightness (cd/m <sup>2</sup> )	400 cd / m <sup>2</sup> (Typ.)	300 cd / m <sup>2</sup> (Typ.)
MCU		ARM Cortex-A8 (800MHz)	
Flash ROM (Bytes)		256 Mbytes	
RAM (Bytes)		256 Mbytes	
Touch Panel		Four-wire resistor, over > 10,000,000 pressing times	
Audio Output	Buzzer	Multi-Tone Frequency (2K ~ 4K Hz) / 80dB	
	AUX	N/A	N/A
USB		1 USB Slave Ver 2.0; 1 USB Host Ver 2.0	
SD		SDx 1	N/A
Serial COM Port	COM1	RS-232 (supports hardware flow control) <sup>2</sup>	RS-232 (supports hardware flow control) <sup>2</sup>
	COM2	RS-232 (supports hardware flow control) / RS-485 <sup>2</sup>	RS-232 (supports hardware flow control) / RS-485 <sup>2</sup>
	COM3	RS-422 / RS-485 <sup>2</sup>	RS-422 / RS-485 <sup>2</sup>
RTC		Built-in	
Cooling		Natural air circulation	
Certification		CE / UL (please equip Shielding cables and linefilters with capacity of 300ohm/100MHz)	
Waterproof		IP65 / NEMA4 / UL Type 4X (indoor use only)	
Operation Voltage <sup>3</sup>		DC +24V (-15% ~ +15%)(please equip isolated-type power supplies) Supplied by Class 2 or SELV circuit (isolated from MAINS by double insulation)	
Voltage Endurance		A500V for 1 minute (between charging DC24 terminal and FG terminals)	
Power Consumption <sup>5</sup>		Max. 8.4 W <sup>3</sup>	Max. 8.6W <sup>3</sup>
Backup Battery		3V lithium battery CR2032 × 1	
Backup Battery Life		Depends on the temperature used and the conditions of usage, usually about 3 years or more at 25° C	
Operating Temperature		0°C ~ 50°C	
Storage Temperature		-20°C ~ 60°C	
Ambient Humidity		10% ~ 90% RH (0 ~ 40° C), 10% ~ 55% RH (41 ~ 50° C), Pollution Degree 2	
Vibration		IEC 61131-2 compliant 5Hz ~ 8.3Hz = Continuous: 3.5mm, 8.3Hz ~ 150Hz = Continuous: 1.0g	
Shock		IEC 60068-2-27 compliant 15g peak for 11ms duration, X, Y, Z, directions for 6 times	
Dimensions (W) x (H) x (D) mm		184 x 144 x 50	272 x 200 x 61
Dimensions (W) x (H) mm		172.4 x 132.4	196.9 x 142.9
Weight		800g	970g

1) The half-life of a backlight is defined as the original luminance being reduced by 50% when the maximum driving current is supplied to an HMI.

2) Built-in power isolation

3) An isolated power supply is recommended.

4) Some models are in the process of application for UL and KCC certification. For more information, please consult our distributors.

5) The value of the power consumption indicates the electrical power consumed by the HMI with no peripheral devices connected.

6) The content of this catalogue may be revised without prior notice. Please consult our distributors or download the most updated version at <http://www.deltaww.com>

# Hardware Specifications

## Basic HMI

Model		Basic Type	
		DOP-103BQ	DOP-107BV
LCD Module	Display	4.3" TFT LCD (65,535)	7" TFT LCD (65,535)
	Resolution (Pixels)	480 x 272	800 x 480
	Back Light	LED Back Light Half-life: 20,000 hours under ambient temperature (25° C) <sup>1)</sup>	
	Display area	95.04 x 53.856 mm	154.08mm * 85.92 mm
	Back Light Brightness (cd/m <sup>2</sup> )	400 cd / m <sup>2</sup> (Typ.)	400 cd / m <sup>2</sup> (Typ.)
MCU		ARM Cortex-A8 (800MHz)	
Flash ROM (Bytes)		256 Mbytes	
RAM (Bytes)		256 Mbytes	
Touch Panel		Four-wire resistor, over > 1,000,000 pressing times	
Audio Output	Buzzer	Multi-Tone Frequency (2K ~ 4K Hz) / 80dB	
	AUX	N/A	N/A
Ethernet Interface		N/A	N/A
SD		N/A	N/A
Serial COM Port	COM1	RS-232	
	COM2	RS-232 / RS-485 <sup>2)</sup>	
	COM3	N/A	
RTC		Built-in	
Cooling		Natural air circulation	
Certification		CE / UL (please equip shielding cables and linefilters with capacity of 300ohm/100MHz)	
Waterproof		IP65 / NEMA4 / UL Type 4X (indoor use only)	
Operation Voltage <sup>3)</sup>		DC +24V (-15% ~ +15%)(please equip isolated-type power supplies) Supplied by Class 2 or SELV circuit (isolated from MAINS by double insulation)	
Voltage Endurance		A500V for 1 minute (between charging DC24 terminal and FG terminals)	
Power Consumption <sup>5)</sup>		Max. 5.6 W <sup>3)</sup>	Max. 8.6W <sup>3)</sup>
Backup Battery		3V lithium battery CR2032 × 1	
Backup Battery Life		Depends on the temperature used and the conditions of usage, usually about 3 years or more at 25° C	
Operating Temperature		0°C ~ 50°C	
Storage Temperature		-20°C ~ 60°C	
Ambient Humidity		10% ~ 90% RH (0 ~ 40° C), 10% ~ 55% RH (41 ~ 50° C), Pollution Degree 2	
Vibration		IEC 61131-2 compliant 5Hz ~ 8.3Hz = Continuous: 3.5mm, 8.3Hz ~ 150Hz = Continuous: 1.0g	
Shock		IEC 60068-2-27 compliant 15g peak for 11ms duration, X, Y, Z, directions for 6 times	
Dimensions (W) x (H) x (D) mm		137 x 103 x 37.1	215 x 161 x 35.5
Dimensions (W) x (H) mm		118.8 x 92.8	196.9 x 142.9
Weight		280 g	700g

1) The half-life of a backlight is defined as the original luminance being reduced by 50% when the maximum driving current is supplied to an HMI.

2) Built-in power isolation

3) An isolated power supply is recommended.

4) Some models are in the process of application for UL and KCC certification. For more information, please consult our distributors.

5) The value of the power consumption indicates the electrical power consumed by the HMI with no peripheral devices connected.

6) The content of this catalogue may be revised without prior notice. Please consult our distributors or download the most updated version at <http://www.deltaww.com>

# Model Description

**DOP - 1 07 W V**

**Product Name**  
DOP : Delta Operation Panel

**Series**  
1 : 100 Series HMI

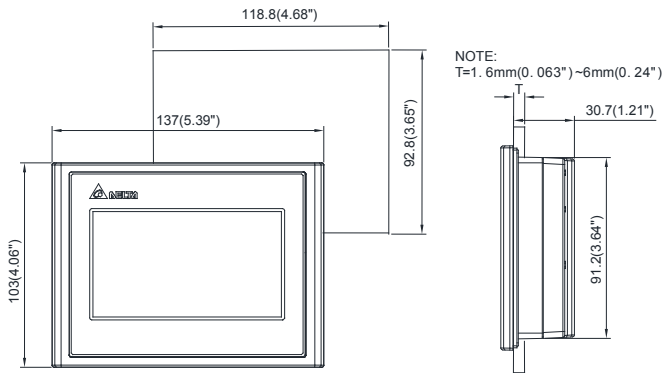
Resolution	
G : SVGA TFT (800x)	Q : WQVGA TFT (480x)
S : WSVGA TFT (1024x)	V : WVGA TFT (800x)
X : XGA TFT (1024x)	Z : No Display (Zero)

Type
B : Basic Type
C : Standard General Type
E : Standard Ethernet Type
W : Advanced Narrow Frame Type
M : Advanced Multimedia Type

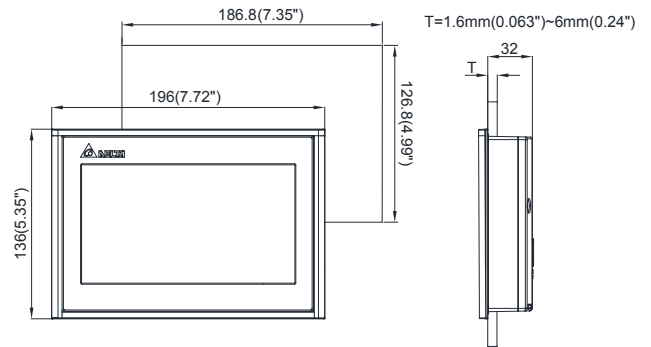
Display Size				
00 : Zero	03 : 4.3"	05 : 5.6"	7 : 7"	8 : 8"
10 : 10.1" / 10.4"	12 : 12"	15 : 15"		

## Dimensions Unit: mm (inches)

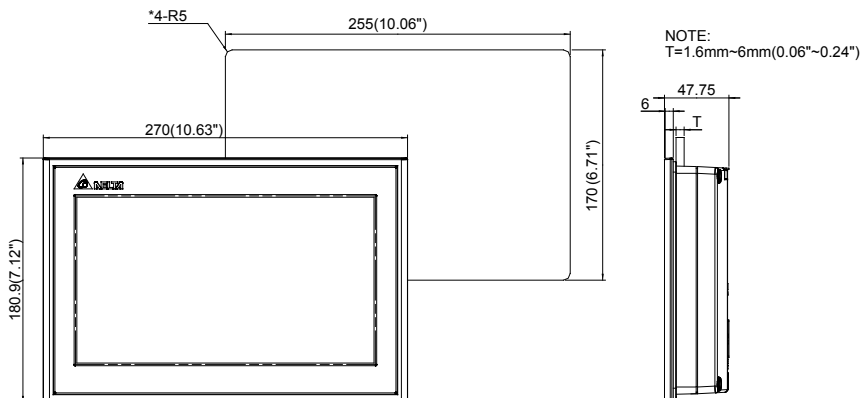
### • DOP-103WQ



### • DOP-107WV

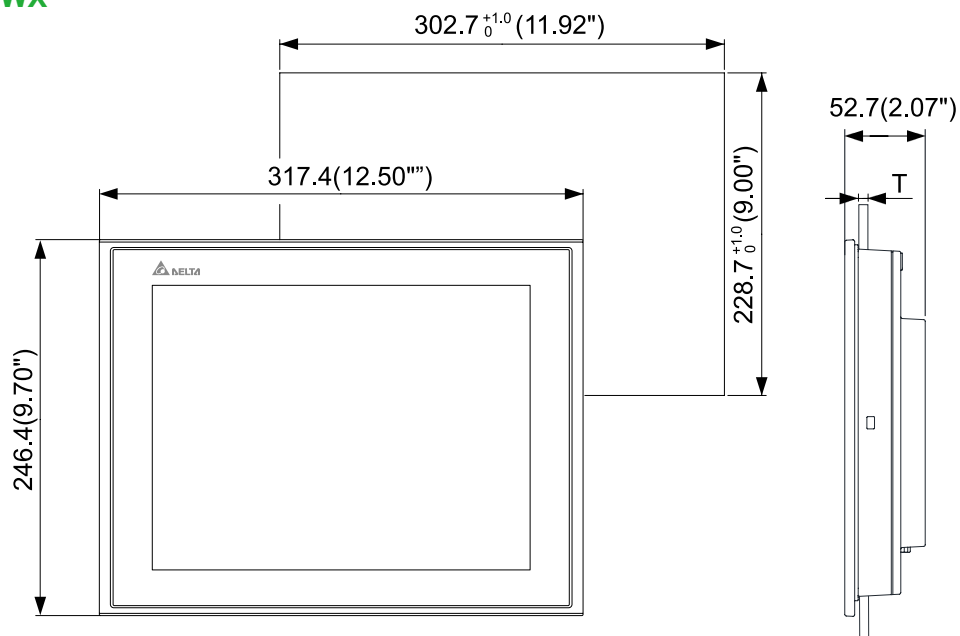


### • DOP-110WS



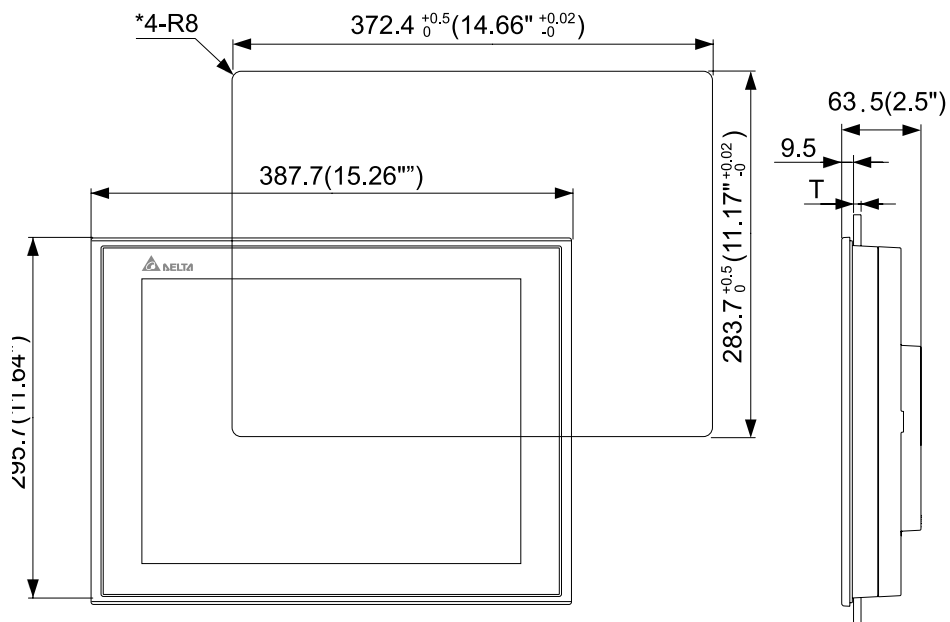
# Dimensions Unit: mm (inches)

## • DOP-112MX / DOP-112WX



Note:  
T=1.6 mm ~ 6 mm(0.063" ~ 0.24")

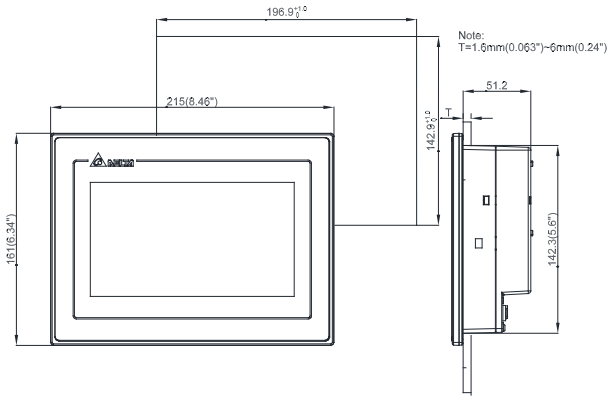
## • DOP-115MX / DOP-115WX



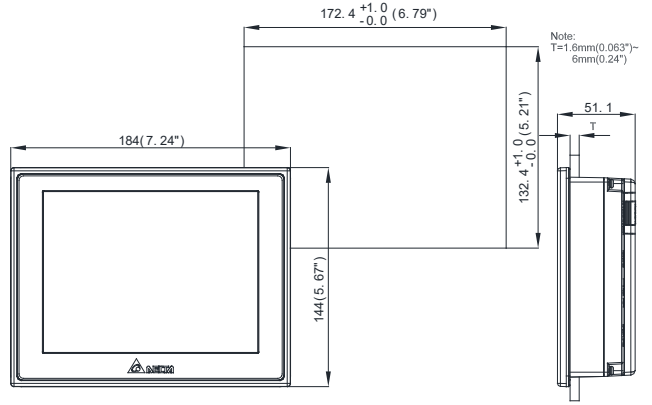
Note:  
T=1.6 mm ~ 6 mm(0.063" ~ 0.24")



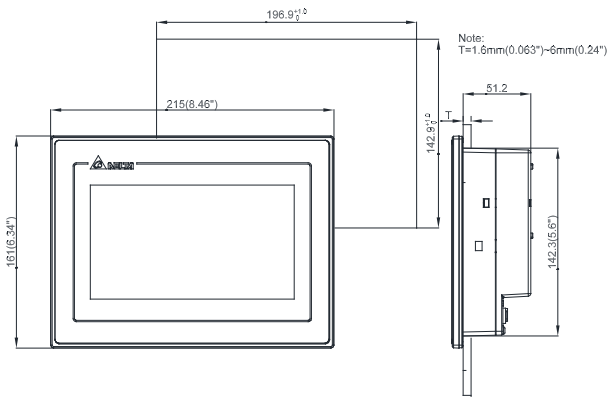
• DOP-107EV



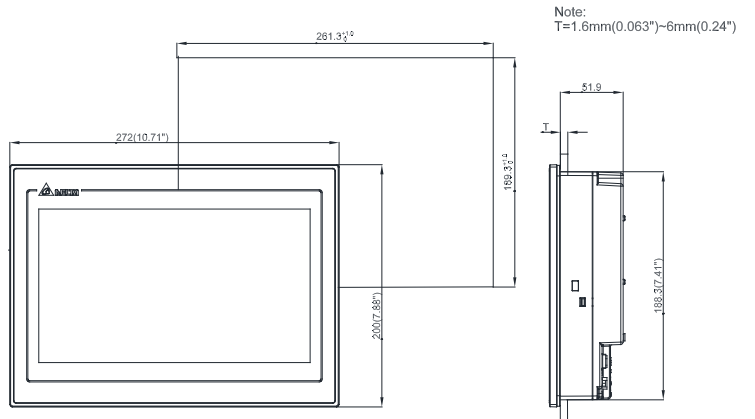
• DOP-107EG



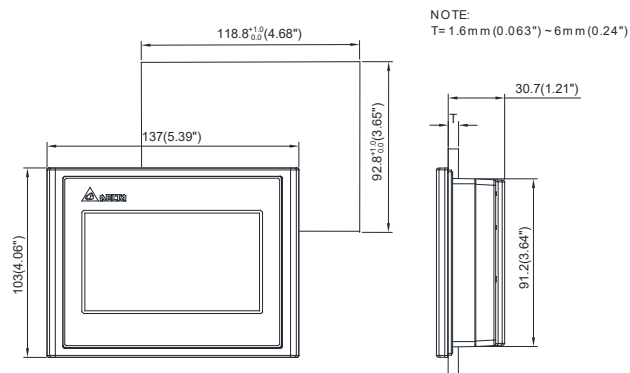
• DOP-107CV



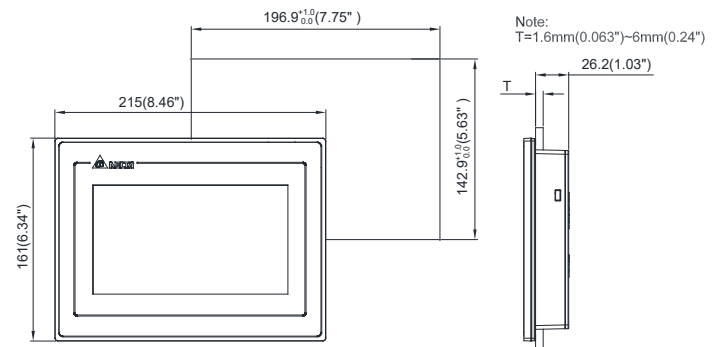
• DOP-110CS



• DOP-103BQ



• DOP-107BV



# Global Operations

## ASIA (Taiwan)



Taoyuan Technology Center (Green Building)



Taoyuan Plant 1



Tainan Plant (Diamond-rated Green Building)

## ASIA (China)



Wujiang Plant 3



Delta Electronics



### ASIA (Japan)



Tokyo Office

### ASIA (India)



Rudrapur Plant  
(Green Building)

### EUROPE



Amsterdam, Netherlands

### AMERICA



Research Triangle Park

▲ Factories 5 ■ Branch Offices 102 ● R&D Centers 6 ■ Distributors 824

urope





Smarter. Greener. Together.

## Industrial Automation Headquarters

### Delta Electronics, Inc.

Taoyuan Technology Center  
No.18, Xinglong Rd., Taoyuan District,  
Taoyuan City 33068, Taiwan  
TEL: 886-3-362-6301 / FAX: 886-3-371-6301

## Asia

### Delta Electronics (Shanghai) Co., Ltd.

No.182 Minyu Rd., Pudong Shanghai, P.R.C.  
Post code : 201209  
TEL: 86-21-6872-3988 / FAX: 86-21-6872-3996  
Customer Service: 400-820-9595

### Delta Electronics (Japan), Inc.

Tokyo Office  
Industrial Automation Sales Department  
2-1-14 Shibadaimon, Minato-ku  
Tokyo, Japan 105-0012  
TEL: 81-3-5733-1155 / FAX: 81-3-5733-1255

### Delta Electronics (Korea), Inc.

Seoul Office  
1511, 219, Gasan Digital 1-Ro., Geumcheon-gu,  
Seoul, 08501 South Korea  
TEL: 82-2-515-5305 / FAX: 82-2-515-5302

### Delta Energy Systems (Singapore) Pte Ltd.

4 Kaki Bukit Avenue 1, #05-04, Singapore 417939  
TEL: 65-6747-5155 / FAX: 65-6744-9228

### Delta Electronics (India) Pvt. Ltd.

Plot No.43, Sector 35, HSIIDC Gurgaon,  
PIN 122001, Haryana, India  
TEL: 91-124-4874900 / FAX : 91-124-4874945

### Delta Electronics (Thailand) PCL.

909 Soi 9, Moo 4, Bangpoo Industrial Estate (E.P.Z),  
Pattana 1 Rd., T.Phraksa, A.Muang,  
Samutprakarn 10280, Thailand  
TEL: 66-2709-2800 / FAX : 662-709-2827

### Delta Energy Systems (Australia) Pty Ltd.

Unit 20-21/45 Normanby Rd., Notting Hill Vic 3168, Australia  
TEL: 61-3-9543-3720

## Americas

### Delta Electronics (Americas) Ltd.

Raleigh Office  
P.O. Box 12173, 5101 Davis Drive,  
Research Triangle Park, NC 27709, U.S.A.  
TEL: 1-919-767-3813 / FAX: 1-919-767-3969

### Delta Greentech (Brasil) S/A

São Paulo Office  
Rua Itapeva, 26 – 3º Andar - Bela Vista  
CEP: 01332-000 – São Paulo – SP - Brasil  
TEL: 55-11-3530-8642 / 55-11-3530-8640

### Delta Electronics International Mexico S.A. de C.V.

Mexico Office  
Vía Dr. Gustavo Baz No. 2160, Colonia La Loma,  
54060 Tlalnepanitla Estado de Mexico  
TEL: 52-55-2628-3015 #3050/3052

## EMEA

### Headquarters: Delta Electronics (Netherlands) B.V.

Sales: Sales.IA.EMEA@deltaww.com  
Marketing: Marketing.IA.EMEA@deltaww.com  
Technical Support: iatechnicalsupport@deltaww.com  
Customer Support: Customer-Support@deltaww.com  
Service: Service.IA.emea@deltaww.com  
TEL: +31(0)40 800 3800

### BENELUX: Delta Electronics (Netherlands) B.V.

De Witbogt 20, 5652 AG Eindhoven, The Netherlands  
Mail: Sales.IA.Benelux@deltaww.com  
TEL: +31(0)40 800 3800

### DACH: Delta Electronics (Netherlands) B.V.

Coesterweg 45, D-59494 Soest, Germany  
Mail: Sales.IA.DACH@deltaww.com  
TEL: +49(0)2921 987 0

### France: Delta Electronics (France) S.A.

ZI du bois Challand 2, 15 rue des Pyrénées,  
Lisses, 91090 Evry Cedex, France  
Mail: Sales.IA.FR@deltaww.com  
TEL: +33(0)1 69 77 82 60

### Iberia: Delta Electronics Solutions (Spain) S.L.U

Ctra. De Villaverde a Vallecas, 265 1º Dcha Ed.  
Hormigueras – P.I. de Vallecas 28031 Madrid  
TEL: +34(0)91 223 74 20

C/Llull, 321-329 (Edifici CINC) | 22@Barcelona, 08019 Barcelona

Mail: Sales.IA.Iberia@deltaww.com  
TEL: +34 93 303 00 60

### Italy: Delta Electronics (Italy) S.r.l.

Ufficio di Milano Via Senigallia 18/2 20161 Milano (MI)  
Piazza Grazioli 18 00186 Roma Italy  
Mail: Sales.IA.Italy@deltaww.com  
TEL: +39 02 64672538

### Russia: Delta Energy System LLC

Vereyskaya Plaza II, office 112 Vereyskaya str.  
17 121357 Moscow Russia  
Mail: Sales.IA.RU@deltaww.com  
TEL: +7 495 644 3240

### Turkey: Delta Greentech Elektronik San. Ltd. Sti. (Turkey)

Şerifali Mah. Hendem Cad. Kule Sok. No:16-A  
34775 Ümraniye – İstanbul  
Mail: Sales.IA.Turkey@deltaww.com  
TEL: + 90 216 499 9910

### GCC: Delta Energy Systems AG (Dubai BR)

P.O. Box 185668, Gate 7, 3rd Floor, Hamarain Centre  
Dubai, United Arab Emirates  
Mail: Sales.IA.MEA@deltaww.com  
TEL: +971(0)4 2690148

### Egypt + North Africa: Delta Electronics

511 Cairo Business Plaza, North 90 street,  
New Cairo, Cairo, Egypt  
Mail: Sales.IA.MEA@deltaww.com